



SINCE  
1911

# Air Induction Hose

- Standard hose configurations in-stock, ready to ship.
  - Custom designs available — fast prototyping.
- Custom rubber compounds to fit your application.
  - QS-9000 Certified.

# Griffith Custom Capabilities

## Griffith Quality Comes in Stock and Custom Versions!

Griffith Rubber Mills molded division is a quality manufacturer of air induction hoses. Our years of experience and ongoing engineering support are a "value-add" for every application.

The Griffith technical staff is happy to offer assistance with engineering issues, and to help you select components that will offer the best performance for your application. We specialize in systems designed for proper airflow characteristics. Our manufacturing capabilities include injection molding, as well as conventional transfer and compression molding.

Many customers will find that this catalog has the products that they need in a "stock" configuration. If you don't see what you need, we invite you to call for support, or to submit a print for a fast quote. We can quote on quantities from a few parts to several thousand.

- Molded-in fittings.
- Custom forms and shapes.
- Special types of rubber compounds for specific applications: compounds are available to resist sun, grease and oils, punctures and heat.

*Fittings and inserts are available, please call.*



*Quality rubber compounds, including silicone.*

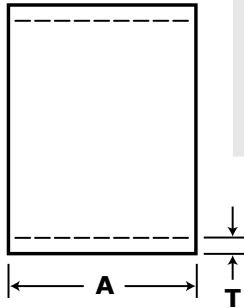
*Quantities from a few parts to several thousand.*



# Standard Rubber Elbows, Hump Hoses and Reducers for Air Induction

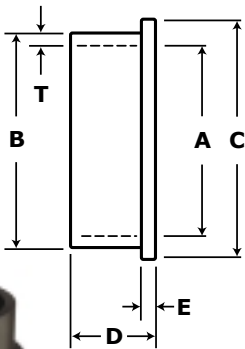
RMA A4 Tolerances: (Ref. Only) - Confirm Dimensions at time of purchase.

## Straight Sleeves



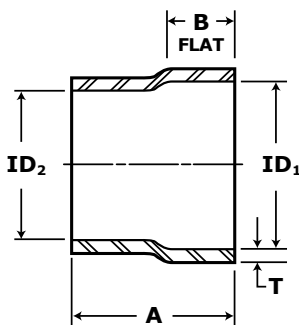
GRM #	I.D.	O.D.	A	T
50193	2.75	3.25	2.40	0.25
50198	3.50	4.00	2.50	0.25
50194	3.50	4.00	3.00	0.25
50195	4.75	5.25	3.20	0.25
50197	5.50	6.00	4.00	0.25
50181	6.00	6.50	3.00	0.25
50219	7.00	7.50	2.25	0.25
50226	7.00	7.50	5.00	0.25

## Reducer Insert Sleeves



GRM #	A	B	C	D	E	T
59430	3.00	4.00	4.50	1.50	0.25	0.50
59435	3.50	4.00	4.50	1.50	0.25	0.25
59454	4.00	4.50	5.00	1.50	0.25	0.25
59540	4.00	5.00	5.50	1.50	0.25	0.50
59554	4.00	5.50	6.00	1.50	0.25	0.75
59545	4.50	5.00	5.50	1.50	0.25	0.25
59555	5.00	5.50	6.00	1.50	0.25	0.25
59650	5.00	6.00	6.50	1.75	0.25	0.50
59655	5.50	6.00	6.50	1.75	0.25	0.25
59760	6.00	7.00	7.50	1.75	0.25	0.50
59870	7.00	8.00	8.50	1.75	0.25	0.50

## Reducer Sleeves



GRM #	I.D.1	I.D.2	A	B	T
46129	2.50	2.25	2.50	1.00	0.25

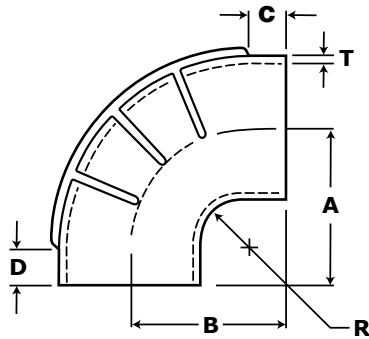
Most sizes are stocked and can be shipped within 48 hours.

Some hoses can be supplied with fittings and inserts. Check with our staff for the right product to match your application.

Custom configurations are also available for special requirements. Just call us!

RMA A4 Tolerances: (Ref. Only) - Confirm Dimensions at time of purchase.

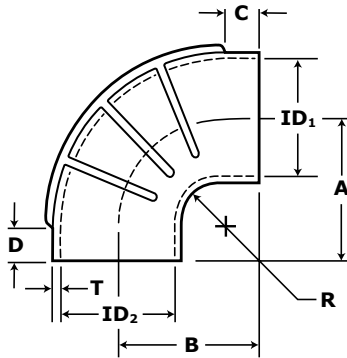
## 90° Elbows



GRM #	PART NO.	I.D.	O.D.	A	B	C	D	R	T
51290	RL290	2.00	2.40	4.25	5.25	2.75	1.75	2.00	0.20
55290	RL2590	2.50	2.90	4.25	4.25	1.50	1.50	2.00	0.20
51390	RL390	3.00	3.50	5.25	5.25	1.50	1.50	2.00	0.25
65000	RL390SR	3.00	3.50	3.75	3.75	1.00	1.00	1.00	0.25
55390	RL3590	3.50	4.00	5.50	5.50	1.75	1.75	2.00	0.25
51490	RL490	4.00	4.50	5.75	5.75	1.50	1.50	2.00	0.25
55490	RL4590	4.50	5.00	6.00	6.00	1.50	1.50	1.75	0.25
51590	RL590	5.00	5.50	6.00	6.00	1.62	1.62	1.75	0.25
51599	RL590SR	5.00	5.50	4.25	4.25	1.20	1.37	0.50	0.25
55590	RL5590	5.50	6.00	6.50	6.50	1.75	1.75	1.75	0.25
55599	RL5590SR	5.50	6.00	8.00	5.00	4.50	1.50	1.00	0.25*
51690	RL690	6.00	6.50	7.00	7.00	2.25	2.25	1.75	0.25*
51699	RL690SR	6.00	6.50	5.00	5.00	1.50	1.50	1.00	0.25*
51938	RL690SRE	6.00	6.50	5.00	6.50	1.50	1.50	1.00	0.25*
51790	RL790	7.00	7.62	7.56	7.56	2.25	2.25	1.75	0.31*
51890	RL890	8.00	8.75	8.50	8.50	2.00	2.25	2.12	0.37*
51894	RL890EL	8.00	8.75	8.50	10.00	3.50	2.25	2.12	0.37*
51190	RL1090	10.00	10.75	10.50	10.50	2.25	2.25	3.12	0.37*

\* Asterisk Indicates Ribbed Elbows

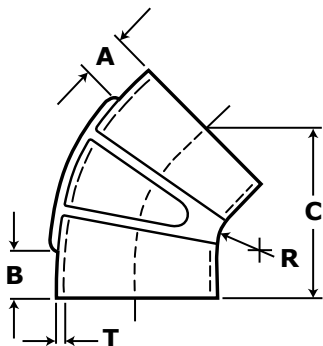
## 90° Reducing Elbows



GRM #	PART NO.	I.D.1	I.D.2	A	B	C	D	R	T
52005	RL5490	4.00	5.00	5.75	6.00	1.75	2.00	1.00	0.25
52009	RL55590	5.00	5.50	5.20	6.50	2.50	1.20	1.25	0.25*
53690	RL63590	3.50	6.00	6.25	5.75	2.62	2.12	1.50	0.28*
51909	RL6590	5.00	6.00	7.00	6.25	1.50	1.70	1.50	0.31*
51958	RL6590	5.00	6.00	4.75	5.50	2.25	3.50	1.50	0.31*
(FLATH)									
51999	RL6590SR	5.00	6.00	4.75	4.75	1.25	1.25	1.25	0.25*
55690	RL65590	5.50	6.00	6.75	6.75	1.75	2.00	1.75	0.25*
51922	RL65590EL	5.50	6.00	6.75	8.75	3.25	1.37	1.75	0.25*
55691	RL65590SR	5.50	6.00	5.00	5.00	1.50	1.50	1.50	0.25*
51759	RL7590	5.00	7.00	7.00	6.25	1.75	2.75	1.50	0.25*
55790	RL75590	5.50	7.00	5.75	6.25	1.50	1.50	0.62	0.31*
51769	RL7690	6.00	7.00	7.56	9.00	4.75	3.00	0.50	0.37*

\* Asterisk Indicates Ribbed Elbows

## 45° Elbows

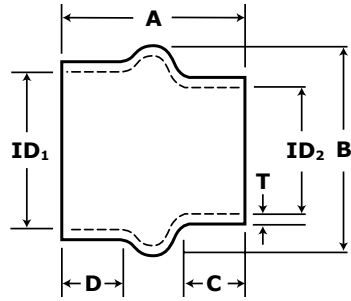


GRM #	PART NO.	I.D.	O.D.	A	B	C	R	T
51345	RL345	3.00	3.50	1.50	1.50	5.50	2.00	0.25
55345	RL3545	3.50	4.00	1.50	1.50	5.50	2.00	0.25
51445	RL445	4.00	4.50	1.50	1.50	5.50	2.00	0.25
55445	RL4545	4.50	5.00	1.50	1.50	5.75	1.75	0.25
51545	RL545	5.00	5.50	1.62	1.62	5.25	1.75	0.25
55545	RL5545	5.50	6.00	1.75	1.75	6.25	1.75	0.25
51645	RL645	6.00	6.50	2.00	2.00	6.50	1.75	0.25*
51745	RL745	7.00	7.62	2.00	2.00	8.00	1.75	0.31
51845	RL845	8.00	8.75	2.25	2.25	8.25	2.12	0.37*
51145	RL1045	10.00	10.75	2.25	2.25	10.50	3.12	0.37*

\* Asterisk Indicates Ribbed Elbows

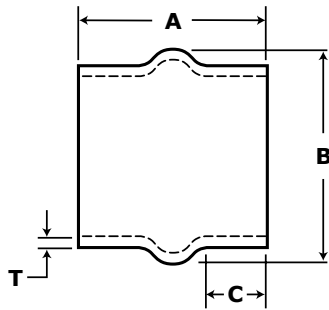
RMA A4 Tolerances: (Ref. Only) - Confirm Dimensions at time of purchase.

## Reducing Hump Hoses



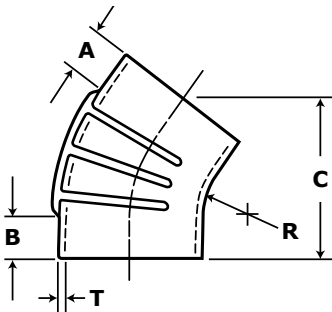
GRM #	PART NO.	I.D.1	I.D.2	A	B	C	D	T
52335	HHR353	3.50	3.00	5.25	5.00	2.12	2.12	0.25
52430	HHR43	4.00	3.00	5.25	5.50	1.50	1.75	0.25
52540	HHR54	5.00	4.00	5.50	6.50	1.50	1.75	0.25
52554	HHR554	5.50	4.00	6.00	7.00	1.87	2.00	0.25
52555	HHR555	5.50	5.00	6.00	7.00	1.87	2.00	0.25
52640	HHR64	6.00	4.00	6.00	7.50	2.12	3.00	0.25
52650	HHR65	6.00	5.00	6.00	7.50	2.12	2.12	0.25
52655	HHR655	6.00	5.50	6.00	7.50	2.00	2.00	0.25
50405	HHR75	7.00	5.00	7.00	8.50	2.25	2.50	0.25
52755	HHR755	7.00	5.50	7.00	8.50	2.25	2.75	0.25
52760	HHR76	7.00	6.00	5.00	8.50	2.25	2.25	0.25
52855	HHR855	8.00	5.50	7.00	9.50	1.75	1.75	0.25
52860	HHR86	8.00	6.00	6.00	9.50	1.38	1.50	0.25
52870	HHR87	8.00	7.00	5.00	9.50	1.44	1.50	0.25
52810	HHR108	10.00	8.00	6.00	11.50	1.75	2.00	0.25

## Hump Hoses



GRM #	PART NO.	I.D.	A	B	C	T
52030	HH3	3.00	5.25	4.50	2.00	0.25
52035	HH35	3.50	5.25	5.00	2.00	0.25
52040	HH4	4.00	5.25	5.50	2.00	0.25
52045	HH45	4.50	5.25	6.00	1.75	0.25
52050	HH5	5.00	6.00	6.50	2.25	0.25
52055	HH55	5.50	6.00	7.00	2.25	0.25
52060	HH6	6.00	7.00	7.50	2.75	0.25
52070	HH7	7.00	7.00	8.50	2.50	0.31
52080	HH8	8.00	5.00	9.50	1.50	0.25
52010	HH10	10.00	6.00	11.50	2.00	0.25

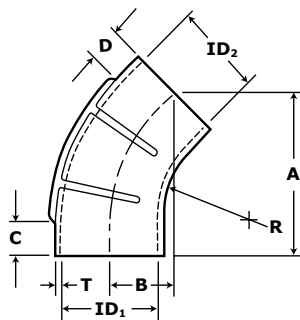
## Special Elbows



GRM #	PART NO.	DEGREE	I.D.	O.D.	A	B	C	R	T
51422	RL422	22	4.00	4.50	1.75	1.75	4.50	1.75	0.25
52017	RL468	68	4.00	4.62	1.50	1.50	6.50	1.75	0.31
55468	RL4568	68	4.50	5.00	1.50	1.50	6.75	1.75	0.25
55522	RL5522	22	5.50	6.00	1.75	1.75	5.25	1.75	0.25
55554	RL5554	54	5.50	6.00	1.75	1.75	7.75	2.50	0.25*
55568	RL5568	68	5.50	6.00	1.75	1.75	8.25	4.00	0.25*
51622	RL622	22	6.00	6.50	1.75	1.75	5.25	1.75	0.25
51638	RL638	38	6.00	6.50	2.30	1.75	7.25	0.75	0.25
51654	RL654	54	6.00	6.50	1.75	1.75	7.50	2.50	0.25*
51668	RL668	68	6.00	6.50	1.75	1.75	8.50	4.00	0.25*
51754	RL754	54	7.00	7.62	2.00	2.00	8.00	2.50	0.31*
51863	RL863	63	8.00	8.75	2.00	2.00	11.00	1.25	0.37*

\* Asterisk Indicates Ribbed Elbows

## Special Reducing Elbows



GRM #	PART NO.	DEGREE	I.D.1	I.D.2	A	B	C	D	R	T
50367	RL6445EL	45	6.00	4.00	9.28	5.72	2.00	4.50	1.75	0.25
55645	RL65545	45	6.00	5.50	6.50	6.50	2.00	2.00	1.75	0.25*
51747	RL7645	45	7.00	6.00	7.38	7.38	1.75	1.75	1.75	0.31*
51936	RL7653	53	7.00	6.00	6.75	7.28	1.50	1.75	2.00	0.25*

\* Asterisk Indicates Ribbed Elbows

# QS-9000 Certified



**Air Induction Operations**  
Griffith Rubber Mills  
400 N. Taylor Rd.  
Garrett, IN 46738  
**(260) 357-3125**  
**Fax (260) 357-3130**

---

Other Griffith locations manufacture a variety of quality molded and extruded rubber products.

**Corporate Office**

Griffith Rubber Mills  
2625 NW Industrial St.  
Portland, OR 97296  
(503) 226-6971 or 1-800-321-9677  
Fax (503) 226-6976

Griffith Rubber Mills  
2631 W. 5th  
Eugene, OR 97402

Griffith Rubber Mills  
507 N. Lee St.  
Garrett, IN 46738

Griffith Rubber Mills  
1215 Thomas G. Wilson Dr.  
Conway, AR 72032