



Air Induction Hose

- Standard hose configurations in-stock, ready to ship.
 - Custom designs available — fast prototyping.
- Custom rubber compounds to fit your application.
 - QS-9000 Certified.

Griffith Custom Capabilities

Griffith Quality Comes in Stock and Custom Versions!

Griffith Rubber Mills molded division is a quality manufacturer of air induction hoses. Our years of experience and ongoing engineering support are a "value-add" for every application.

The Griffith technical staff is happy to offer assistance with engineering issues, and to help you select components that will offer the best performance for your application. We specialize in systems designed for proper airflow characteristics. Our manufacturing capabilities include injection molding, as well as conventional transfer and compression molding.

Many customers will find that this catalog has the products that they need in a "stock" configuration. If you don't see what you need, we invite you to call for support, or to submit a print for a fast quote. We can quote on quantities from a few parts to several thousand.

- Molded-in fittings.
- Custom forms and shapes.
- Special types of rubber compounds for specific applications: compounds are available to resist sun, grease and oils, punctures and heat.
- Our typical rubber compound resists temperatures from -40° F to +250° F. Special compounds are available for temperatures to +300° F.

Fittings and inserts are available, please call.



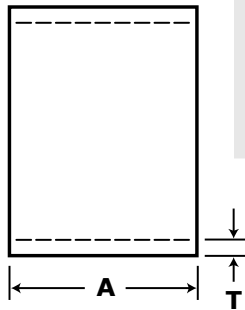
Quality rubber compounds, including silicone.

Quantities from a few parts to several thousand.



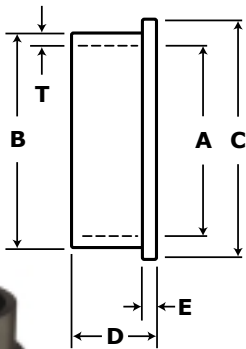
Standard Rubber Elbows, Hump Hoses and Reducers for Air Induction

Straight Sleeves



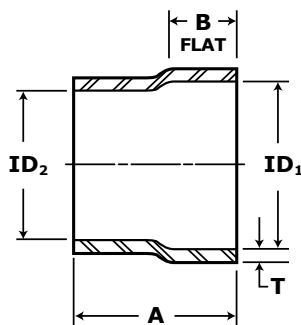
| GRM # | I.D. | O.D. | A | T |
|-------|------|------|------|------|
| 50193 | 2.75 | 3.25 | 2.40 | 0.25 |
| 50198 | 3.50 | 4.00 | 2.50 | 0.25 |
| 50194 | 3.50 | 4.00 | 3.00 | 0.25 |
| 50195 | 4.75 | 5.25 | 3.20 | 0.25 |
| 50197 | 5.50 | 6.00 | 4.00 | 0.25 |
| 50181 | 6.00 | 6.50 | 3.00 | 0.25 |
| 50219 | 7.00 | 7.50 | 2.25 | 0.25 |
| 50226 | 7.00 | 7.50 | 5.00 | 0.25 |

Reducer Insert Sleeves



| GRM # | A | B | C | D | E | T |
|-------|------|------|------|------|------|------|
| 59430 | 3.00 | 4.00 | 4.50 | 1.50 | 0.25 | 0.50 |
| 59435 | 3.50 | 4.00 | 4.50 | 1.50 | 0.25 | 0.25 |
| 59454 | 4.00 | 4.50 | 5.00 | 1.50 | 0.25 | 0.25 |
| 59540 | 4.00 | 5.00 | 5.50 | 1.50 | 0.25 | 0.50 |
| 59554 | 4.00 | 5.50 | 6.00 | 1.50 | 0.25 | 0.75 |
| 59545 | 4.50 | 5.00 | 5.50 | 1.50 | 0.25 | 0.25 |
| 59555 | 5.00 | 5.50 | 6.00 | 1.50 | 0.25 | 0.25 |
| 59650 | 5.00 | 6.00 | 6.50 | 1.75 | 0.25 | 0.50 |
| 59655 | 5.50 | 6.00 | 6.50 | 1.75 | 0.25 | 0.25 |
| 59760 | 6.00 | 7.00 | 7.50 | 1.75 | 0.25 | 0.50 |
| 59870 | 7.00 | 8.00 | 8.50 | 1.75 | 0.25 | 0.50 |

Reducer Sleeves



| GRM # | I.D.1 | I.D.2 | A | B | T |
|-------|-------|-------|------|------|------|
| 46129 | 2.50 | 2.25 | 2.50 | 1.00 | 0.25 |

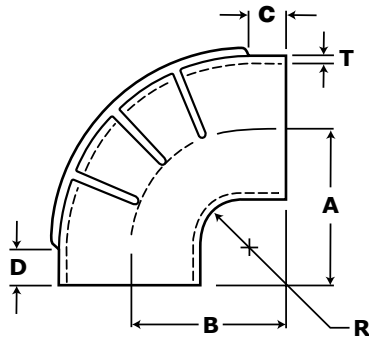
Most sizes are stocked and can be shipped within 48 hours.

Some hoses can be supplied with fittings and inserts. Check with our staff for the right product to match your application.

Custom configurations are also available for special requirements. Just call us!



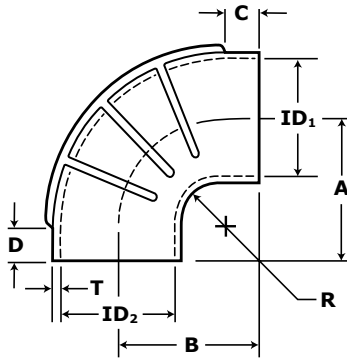
90° Elbows



| GRM # | PART NO. | I.D. | O.D. | A | B | C | D | R | T |
|-------|----------|-------|-------|-------|-------|------|------|------|-------|
| 51290 | RL290 | 2.00 | 2.40 | 4.25 | 5.25 | 2.75 | 1.75 | 2.00 | 0.20 |
| 55290 | RL2590 | 2.50 | 2.90 | 4.25 | 4.25 | 1.50 | 1.50 | 2.00 | 0.20 |
| 51390 | RL390 | 3.00 | 3.50 | 5.25 | 5.25 | 1.50 | 1.50 | 2.00 | 0.25 |
| 65000 | RL390SR | 3.00 | 3.50 | 3.75 | 3.75 | 1.00 | 1.00 | 1.00 | 0.25 |
| 55390 | RL3590 | 3.50 | 4.00 | 5.50 | 5.50 | 1.75 | 1.75 | 2.00 | 0.25 |
| 51490 | RL490 | 4.00 | 4.50 | 5.75 | 5.75 | 1.50 | 1.50 | 2.00 | 0.25 |
| 55490 | RL4590 | 4.50 | 5.00 | 6.00 | 6.00 | 1.50 | 1.50 | 1.75 | 0.25 |
| 51590 | RL590 | 5.00 | 5.50 | 6.00 | 6.00 | 1.62 | 1.62 | 1.75 | 0.25 |
| 51599 | RL590SR | 5.00 | 5.50 | 4.25 | 4.25 | 1.20 | 1.37 | 0.50 | 0.25 |
| 55590 | RL5590 | 5.50 | 6.00 | 6.50 | 6.50 | 1.75 | 1.75 | 1.75 | 0.25 |
| 55599 | RL5590SR | 5.50 | 6.00 | 8.00 | 5.00 | 4.50 | 1.50 | 1.00 | 0.25* |
| 51690 | RL690 | 6.00 | 6.50 | 7.00 | 7.00 | 2.25 | 2.25 | 1.75 | 0.25* |
| 51699 | RL690SR | 6.00 | 6.50 | 5.00 | 5.00 | 1.50 | 1.50 | 1.00 | 0.25* |
| 51938 | RL690SRE | 6.00 | 6.50 | 5.00 | 6.50 | 1.50 | 1.50 | 1.00 | 0.25* |
| 51790 | RL790 | 7.00 | 7.62 | 7.56 | 7.56 | 2.25 | 2.25 | 1.75 | 0.31* |
| 51890 | RL890 | 8.00 | 8.75 | 8.50 | 8.50 | 2.00 | 2.25 | 2.12 | 0.37* |
| 51894 | RL890EL | 8.00 | 8.75 | 8.50 | 10.00 | 3.50 | 2.25 | 2.12 | 0.37* |
| 51190 | RL1090 | 10.00 | 10.75 | 10.50 | 10.50 | 2.25 | 2.25 | 3.12 | 0.37* |

* Asterisk Indicates Ribbed Elbows

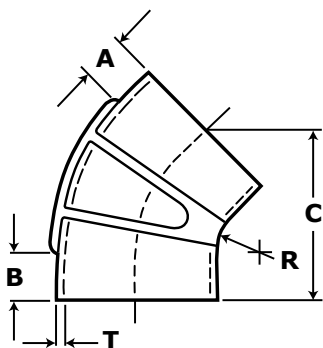
90° Reducing Elbows



| GRM # | PART NO. | I.D.1 | I.D.2 | A | B | C | D | R | T |
|---------|-----------|-------|-------|------|------|------|------|------|-------|
| 52005 | RL5490 | 4.00 | 5.00 | 5.75 | 6.00 | 1.75 | 2.00 | 1.00 | 0.25 |
| 52009 | RL55590 | 5.00 | 5.50 | 5.20 | 6.50 | 2.50 | 1.20 | 1.25 | 0.25* |
| 53690 | RL63590 | 3.50 | 6.00 | 6.25 | 5.75 | 2.62 | 2.12 | 1.50 | 0.28* |
| 51909 | RL6590 | 5.00 | 6.00 | 7.00 | 6.25 | 1.50 | 1.70 | 1.50 | 0.31* |
| 51958 | RL6590 | 5.00 | 6.00 | 4.75 | 5.50 | 2.25 | 3.50 | 1.50 | 0.31* |
| (FLATH) | | | | | | | | | |
| 51999 | RL6590SR | 5.00 | 6.00 | 4.75 | 4.75 | 1.25 | 1.25 | 1.25 | 0.25* |
| 55690 | RL65590 | 5.50 | 6.00 | 6.75 | 6.75 | 1.75 | 2.00 | 1.75 | 0.25* |
| 51922 | RL65590EL | 5.50 | 6.00 | 6.75 | 8.75 | 3.25 | 1.37 | 1.75 | 0.25* |
| 55691 | RL65590SR | 5.50 | 6.00 | 5.00 | 5.00 | 1.50 | 1.50 | 1.50 | 0.25* |
| 51759 | RL7590 | 5.00 | 7.00 | 7.00 | 6.25 | 1.75 | 2.75 | 1.50 | 0.25* |
| 55790 | RL75590 | 5.50 | 7.00 | 5.75 | 6.25 | 1.50 | 1.50 | 0.62 | 0.31* |
| 51769 | RL7690 | 6.00 | 7.00 | 7.56 | 9.00 | 4.75 | 3.00 | 0.50 | 0.37* |

* Asterisk Indicates Ribbed Elbows

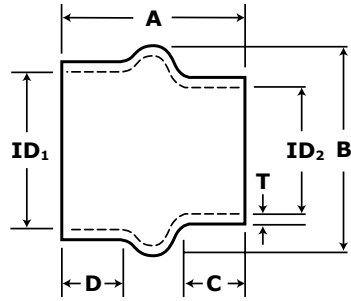
45° Elbows



| GRM # | PART NO. | I.D. | O.D. | A | B | C | R | T |
|-------|----------|-------|-------|------|------|-------|------|-------|
| 51345 | RL345 | 3.00 | 3.50 | 1.50 | 1.50 | 5.50 | 2.00 | 0.25 |
| 55345 | RL3545 | 3.50 | 4.00 | 1.50 | 1.50 | 5.50 | 2.00 | 0.25 |
| 51445 | RL445 | 4.00 | 4.50 | 1.50 | 1.50 | 5.50 | 2.00 | 0.25 |
| 55445 | RL4545 | 4.50 | 5.00 | 1.50 | 1.50 | 5.75 | 1.75 | 0.25 |
| 51545 | RL545 | 5.00 | 5.50 | 1.62 | 1.62 | 5.25 | 1.75 | 0.25 |
| 55545 | RL5545 | 5.50 | 6.00 | 1.75 | 1.75 | 6.25 | 1.75 | 0.25 |
| 51645 | RL645 | 6.00 | 6.50 | 2.00 | 2.00 | 6.50 | 1.75 | 0.25* |
| 51745 | RL745 | 7.00 | 7.62 | 2.00 | 2.00 | 8.00 | 1.75 | 0.31 |
| 51845 | RL845 | 8.00 | 8.75 | 2.25 | 2.25 | 8.25 | 2.12 | 0.37* |
| 51145 | RL1045 | 10.00 | 10.75 | 2.25 | 2.25 | 10.50 | 3.12 | 0.37* |

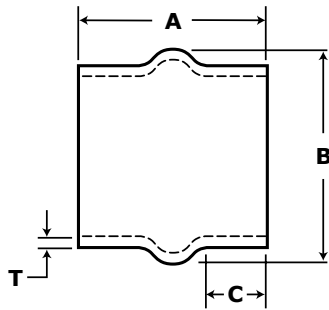
* Asterisk Indicates Ribbed Elbows

Reducing Hump Hoses



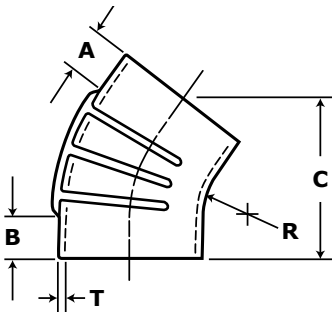
| GRM # | PART NO. | I.D.1 | I.D.2 | A | B | C | D | T |
|-------|----------|-------|-------|------|-------|------|------|------|
| 52335 | HHR353 | 3.50 | 3.00 | 5.25 | 5.00 | 2.12 | 2.12 | 0.25 |
| 52430 | HHR43 | 4.00 | 3.00 | 5.25 | 5.50 | 1.50 | 1.75 | 0.25 |
| 52540 | HHR54 | 5.00 | 4.00 | 5.50 | 6.50 | 1.50 | 1.75 | 0.25 |
| 52554 | HHR554 | 5.50 | 4.00 | 6.00 | 7.00 | 1.87 | 2.00 | 0.25 |
| 52555 | HHR555 | 5.50 | 5.00 | 6.00 | 7.00 | 1.87 | 2.00 | 0.25 |
| 52640 | HHR64 | 6.00 | 4.00 | 6.00 | 7.50 | 2.12 | 3.00 | 0.25 |
| 52650 | HHR65 | 6.00 | 5.00 | 6.00 | 7.50 | 2.12 | 2.12 | 0.25 |
| 52655 | HHR655 | 6.00 | 5.50 | 6.00 | 7.50 | 2.00 | 2.00 | 0.25 |
| 50405 | HHR75 | 7.00 | 5.00 | 7.00 | 8.50 | 2.25 | 2.50 | 0.25 |
| 52755 | HHR755 | 7.00 | 5.50 | 7.00 | 8.50 | 2.25 | 2.75 | 0.25 |
| 52760 | HHR76 | 7.00 | 6.00 | 5.00 | 8.50 | 2.25 | 2.25 | 0.25 |
| 52855 | HHR855 | 8.00 | 5.50 | 7.00 | 9.50 | 1.75 | 1.75 | 0.25 |
| 52860 | HHR86 | 8.00 | 6.00 | 6.00 | 9.50 | 1.38 | 1.50 | 0.25 |
| 52870 | HHR87 | 8.00 | 7.00 | 5.00 | 9.50 | 1.44 | 1.50 | 0.25 |
| 52810 | HHR108 | 10.00 | 8.00 | 6.00 | 11.50 | 1.75 | 2.00 | 0.25 |

Hump Hoses



| GRM # | PART NO. | I.D. | A | B | C | T |
|-------|----------|-------|------|-------|------|------|
| 52030 | HH3 | 3.00 | 5.25 | 4.50 | 2.00 | 0.25 |
| 52035 | HH35 | 3.50 | 5.25 | 5.00 | 2.00 | 0.25 |
| 52040 | HH4 | 4.00 | 5.25 | 5.50 | 2.00 | 0.25 |
| 52045 | HH45 | 4.50 | 5.25 | 6.00 | 1.75 | 0.25 |
| 52050 | HH5 | 5.00 | 6.00 | 6.50 | 2.25 | 0.25 |
| 52055 | HH55 | 5.50 | 6.00 | 7.00 | 2.25 | 0.25 |
| 52060 | HH6 | 6.00 | 7.00 | 7.50 | 2.75 | 0.25 |
| 52070 | HH7 | 7.00 | 7.00 | 8.50 | 2.50 | 0.31 |
| 52080 | HH8 | 8.00 | 5.00 | 9.50 | 1.50 | 0.25 |
| 52010 | HH10 | 10.00 | 6.00 | 11.50 | 2.00 | 0.25 |

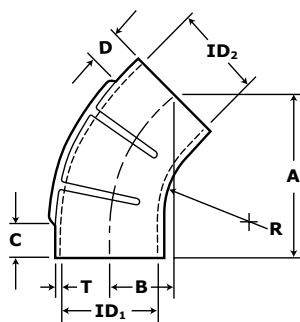
Special Elbows



| GRM # | PART NO. | DEGREE | I.D. | O.D. | A | B | C | R | T |
|-------|----------|--------|------|------|------|------|-------|------|-------|
| 51422 | RL422 | 22 | 4.00 | 4.50 | 1.75 | 1.75 | 4.50 | 1.75 | 0.25 |
| 52017 | RL468 | 68 | 4.00 | 4.62 | 1.50 | 1.50 | 6.50 | 1.75 | 0.31 |
| 55468 | RL4568 | 68 | 4.50 | 5.00 | 1.50 | 1.50 | 6.75 | 1.75 | 0.25 |
| 55522 | RL5522 | 22 | 5.50 | 6.00 | 1.75 | 1.75 | 5.25 | 1.75 | 0.25 |
| 55554 | RL5554 | 54 | 5.50 | 6.00 | 1.75 | 1.75 | 7.75 | 2.50 | 0.25* |
| 55568 | RL5568 | 68 | 5.50 | 6.00 | 1.75 | 1.75 | 8.25 | 4.00 | 0.25* |
| 51622 | RL622 | 22 | 6.00 | 6.50 | 1.75 | 1.75 | 5.25 | 1.75 | 0.25 |
| 51638 | RL638 | 38 | 6.00 | 6.50 | 2.30 | 1.75 | 7.25 | 0.75 | 0.25 |
| 51654 | RL654 | 54 | 6.00 | 6.50 | 1.75 | 1.75 | 7.50 | 2.50 | 0.25* |
| 51668 | RL668 | 68 | 6.00 | 6.50 | 1.75 | 1.75 | 8.50 | 4.00 | 0.25* |
| 51754 | RL754 | 54 | 7.00 | 7.62 | 2.00 | 2.00 | 8.00 | 2.50 | 0.31* |
| 51863 | RL863 | 63 | 8.00 | 8.75 | 2.00 | 2.00 | 11.00 | 1.25 | 0.37* |

* Asterisk Indicates Ribbed Elbows

Special Reducing Elbows



| GRM # | PART NO. | DEGREE | I.D.1 | I.D.2 | A | B | C | D | R | T |
|-------|----------|--------|-------|-------|------|------|------|------|------|-------|
| 50367 | RL6445EL | 45 | 6.00 | 4.00 | 9.28 | 5.72 | 2.00 | 4.50 | 1.75 | 0.25 |
| 55645 | RL65545 | 45 | 6.00 | 5.50 | 6.50 | 6.50 | 2.00 | 2.00 | 1.75 | 0.25* |
| 51747 | RL7645 | 45 | 7.00 | 6.00 | 7.38 | 7.38 | 1.75 | 1.75 | 1.75 | 0.31* |
| 51936 | RL7653 | 53 | 7.00 | 6.00 | 6.75 | 7.28 | 1.50 | 1.75 | 2.00 | 0.25* |

* Asterisk Indicates Ribbed Elbows

QS-9000 Certified



Air Induction Operations
Griffith Rubber Mills
400 N. Taylor Rd.
Garrett, IN 46738
(260) 357-3125
Fax (260) 357-3130

Other Griffith locations manufacture a variety of quality molded and extruded rubber products.

Corporate Office

Griffith Rubber Mills
2625 NW Industrial St.
Portland, OR 97296
(503) 226-6971 or 1-800-321-9677
Fax (503) 226-6976

Griffith Rubber Mills
2631 W. 5th
Eugene, OR 97402

Griffith Rubber Mills
507 N. Lee St.
Garrett, IN 46738

Griffith Rubber Mills
1215 Thomas G. Wilson Dr.
Conway, AR 72032